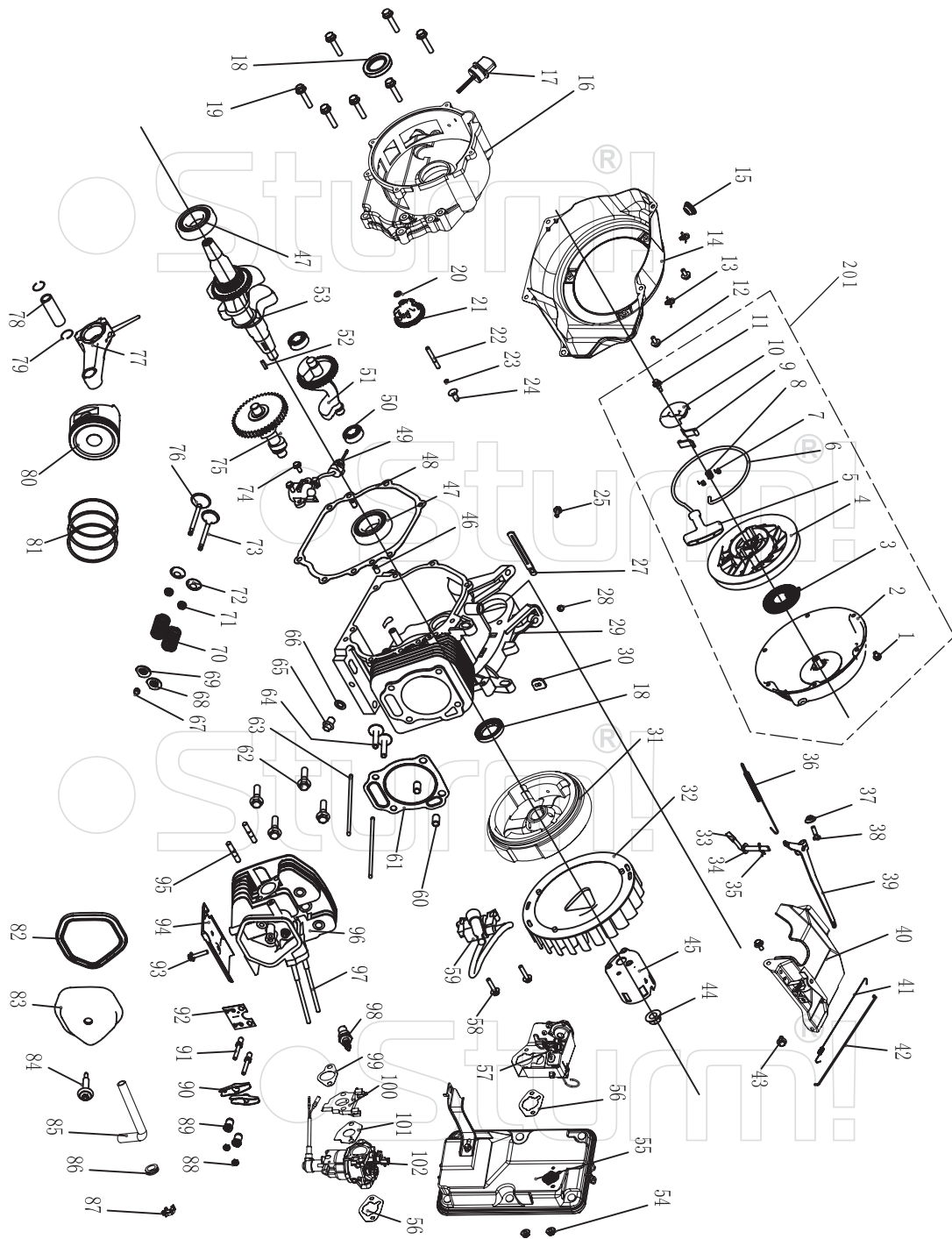


PG8719WN

NO.	DESCRIPTION	NO.	DESCRIPTION	NO.	DESCRIPTION
1	FUEL TUBE	51	DC OUTPUT WIRE"-"	99	RECEPTACLE
2	CLIP	52	BOLT M8×16	100	VOLT METER
3	FUEL COCK	53	WASHER Ø8	101	BOLT M6×22
4	FUEL TANK	54	SPRING WASHER Ø8	102	NUT M6
5	FUEL FILLER	55	RUBBER END COVER	103	SPRING WASHER Ø6
6	FUEL TANK CAP	56	GENERATOR END COVER	104	WASHER Ø6
7	FUEL METER	57	BOLT M5×12	105	DC.10A CIRCUIT BREAKERS
8	BOLT M5×10	58	DC OUTPUT WIRE"+"	106	DC RECEPTACLE
9	BOLT M6×20	59	SPRING WASHER Ø4	107	AC CIRCUIT BREAKERS
10	WASHER	60	WASHER Ø4	108	CONTACTOR
11	SPRING WASHER Ø6	61	NUT M4	109	THERMAL PROTECTOR INDICATOR LIGHT
12	TANK RUBBER	62	SPRING WASHER Ø5	110	BOLT M10×50
13	CUSHION RIGN	63	WASHER Ø5	111	NUT M10
14	BOLT M8×12	64	BOLT M5×20	112	WASHER Ø10
15	BOTTOM RUBBER I	65	BRUSH COVER BOARD	113	WING NUT M10
16	NUT M10	66	BRUSH ASSEMBLY	114	BAKELITE WASHER
17	BOTTOM RUBBER II	67	MUFFLER BACK PROTECTOR	115	SPRING WASHER Ø10
18	NUT M8	68	CUSHION	116	BOLT M6×12
19	BOLT M6×12	69	BOLT M8×20	117	PLUG UP
20	WASHER Ø6	70	WASHER Ø8	118	L-WASHER
21	EARTH LINE	71	SPRING WASHER Ø8	119	L-BAKELITE WASHER
22	NUT M6	72	WASHER Ø8	120N	AVR
23	BOLT M8×50	73	SPRING WASHER Ø8	121	BOLT M5×16
24	WASHER Ø8	74	BOLT M8×25	122	WASHER Ø5
25	GRIPE	75	MUFFLER ASSEMBLY	123	SPRING WASHER Ø5
26	NUT M8	76	MUFFLER FRONT PROTECTOR	124	PANEL COVER
27	CUSHION	77	BOLT M6×12	125	BOLT M5×83
28	ENGINE	78	BOLT M6×8	126	WASHER Ø5
31	AIR GUIDE	79	MUFFLER GASKET	127	PLUG UP
32	BOLT M6×8	80	NUT M8	128	BOLT M5×14
33	ROTOR ASSEMBLY	81	SPRING WASHER Ø8	129	DIODE ASSY
34	BOLT M10×275	82	WASHER Ø8	130	DIODE ASSY
35	WASHER Ø10	83	NUT M6	131	BOLT M8×25
36	SPRING WASHER Ø10	84	AIR CLEANER STAY	132	CUSHION
37	BOLT M5×214	85	TERMINAL	133	NUT M8
38	SPRING WASHER Ø5	86	BOLT M5×30	134	BRACKET
39	WASHER Ø5	87	COVER	135	BOLT M8×16
40	STATOR ASSEMBLY	88	BOLT M5×16	136	BRACKET
41	STATOR COVER	89	WASHER Ø5	137	NUT M10
42	END COVER	90	SPRING WASHER Ø5	138	WHEEL
43	BOLT M6×189	91	CUSHION RING Ø20.5	139	LINING
44	WASHER Ø6	92	BODY	140	WASHER Ø10
45	SPRING WASHER Ø6	93	CAPACITANCE	141	BOLT M10×125
46	RECTIFIER	94	WASHER Ø5	142	BOLT
47N	AVR RADIATOR	95	SPRING WASHER Ø5	201	OVER VOLTAGE PROTECTOR
48	BOLT M5×16	96	NUT M5		
49	BOLT M5×35	97	CONTROL PANEL		
50	BUILD UP,OUTPUT WIRE	98	STARTER SWITCH		



ENGINE FOR PG8719WN

No.	DESCRIPTION	No.	DESCRIPTION	No.	DESCRIPTION
1	FLANGE BOLT M6×8	45	START HUB	86	BREATHER TUBE SHEATH
2	RECOIL STARTER	46	DOWEL PIN Ø8×14	87	STRING CLIP
3	RECOIL STARTER SPRING	47	BALL BEARING 6207	88	PIVOT ADJUSTING NUT
4	RECOIL STARTER REEL	48	CASE OVER PACKING	89	ROCKER ARM PIVOT
5	RECOIL STARTER KNOB	49	OIL LEVEL SWITCH ASSEMBLY	90	VALVE ROCKER ARM
6	RECOIL STARTER ROPE	50	BALL BEARING 6202	91	PIVOT BOLT
7	RETURN SPRING	51	BALANCE SHAFT	92	PUSH ROD GUIDE PLATE
8	RATCHET GUIDE SPRING	52	KEY	93	STUD BOLT M6×12
9	STARTER RATCHET	53	CRANK ASSEMBLY	94	SHROUD COMP
10	RATCHET GUIDE	54	NUT M6	95	STUD BOLT M8×34
11	RATCHET GUIDE SCREW	55	AIR CLEANER ASSEMBLY	96	CYLINDER HEAD ASSEMBLY
12	FLANGE BOLT M6×12	56	CARBURETOR WASHER	97	STUD BOLT 105
13	WIRE CLIP	57	ENRICHMENT SET ASSEMBLY	98	SPARK PLUG
14	FAN COVER ASSEMBLY	58	FLANGE BOLT M6×29	99	INSULATOR PACKING
15	RUBBER STUFF	59	IGNITOR	100	CARBURETOR INSULATOR
16	CRANKCASE COVER	60	DOWEL PIN Ø12×20	101	CARBURETOR PACKING
17	OIL FILLER CAP ASSEMBLY	61	CYLINDER HEAD GASKET	102	CARBURETOR ASSEMBLY
18	OIL SEAL	62	FLANGE BOLT M10×80	201	STARTER ASSEMBLY (1+...+11)
19	FLANGE BOLT M8×40	63	PUSH ROD		
20	GOVERNOR SHAFT WASHER	64	VALVE LIFTER		
21	GOVERNOR GEAR ASSEMBLY	65	DRAIN PLUG BOLT		
22	GOVERNOR SHAFT	66	DRAIN BOLT WASHER		
23	GOVERNOR HOLDER CLIP	67	VALVE ROTATOR		
24	GOVERNOR COVER	68	INTAKE VALVE SPRING RETAINER		
25	FLANGE BOLT M6×12	69	EXHAUST VALVE SPRING RETAINER		
27	WIRE CLIP	70	VALVE SPRING		
28	OIL SEAL	71	VALVE OIL SEAL		
29	CRANKCASE	72	VALVE SPRING WASHER		
30	WIRE SHEATH	73	INTAKE VALVE		
31	FLY WHEEL	74	FLANGE BOLT M6×15		
32	COOLING FAN	75	CAMSHAFT ASSEMBLY		
33	GOVERNOR ARM SHAFT	76	EXHAUST VALVE		
34	GOVERNOR WASHER	77	CONNECTING ROD ASSEMBLY		
35	LOCK PIN	78	PISTON PIN		
36	GOVERNOR SPRING	79	PISTON PIN CLIP		
37	NUT M6	80	PISTON		
38	GOVERNOR ARM BOLT	81	RING COMP		
39	GOVERNOR ARM	81	SECOND RING SET		
40	SHROUD ASSEMBLY	81	FIRST RING SET		
41	THROTTLE RETURN SPRING	82	HEAD OVER PACKING		
42	GOVERNOR ROD	83	HEAD OVER COMP		
43	FLANGE BOLT M6×12	84	BOLT		
44	NUT M14	85	BREATHER TUBE		